





Series EAxxxxxx

LED magnifying lamp, flexible arm gooseneck or articulated arm, white light, 5200-5700K, 230VAC or 24VDC, on/off switch

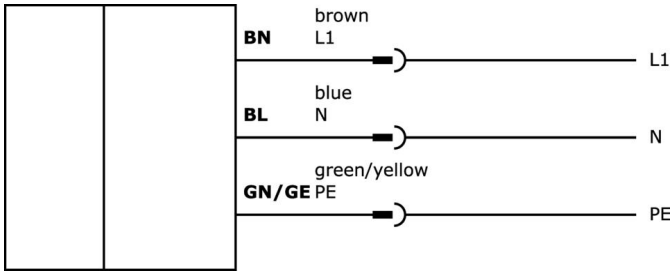


Aperture and shadow-free illumination

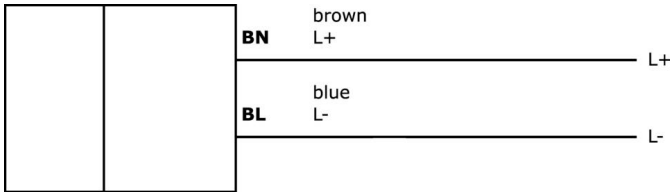
The lights are suitable for stationary illumination of workstations, workbenches, assembly or inspection stations and machines. They can be specifically aligned on the right area as they have articulated or flexible arms and various mounting options. The versions with magnifiers are required for workstations or test stations where magnification with glare-free and shadow-free illumination is crucial.

Article No.	EA1C0100	EA1C4140
		
ardSOCA_Abmessungen	Ø230mm, 500mm long	
ardSOCA_Betriebsspannung	22-26VDC	105-305VAC(50Hz)
Rated operating current	350 mA	85 mA
Housing material	Aluminum	
Ambient temperature	-10 - 50 °C	
ardSOCA_ElektrischerAnschluss	Cable tail 2-pole 3m	SCHUKO connector, straight 3-pin 3m
Article No.	EAKF0101	EAKF0102
		
ardSOCA_Abmessungen	Ø234mm, 1366mm long	
ardSOCA_Betriebsspannung	22-26VDC	
Rated operating current	750 mA	
Housing material	Aluminum	
Ambient temperature	-10 - 40 °C	
ardSOCA_ElektrischerAnschluss	Cable connector M12 pole 2m	

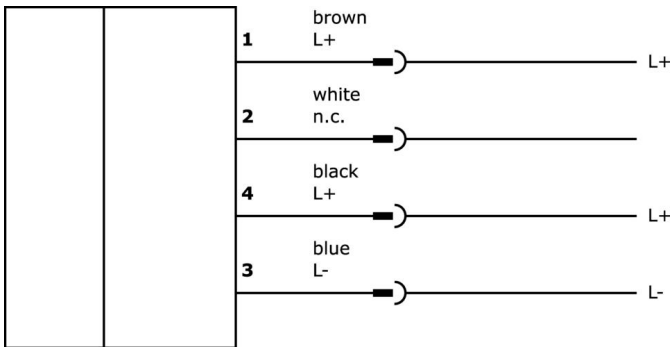
EA1C4140



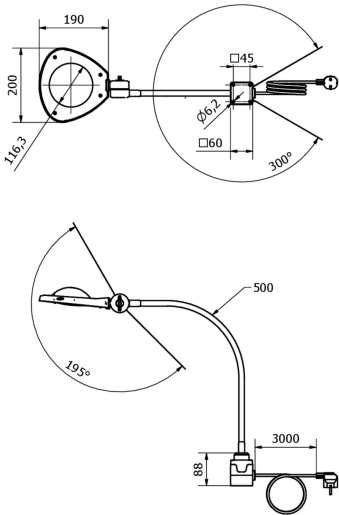
Wiring diagram EA1Cxxxx



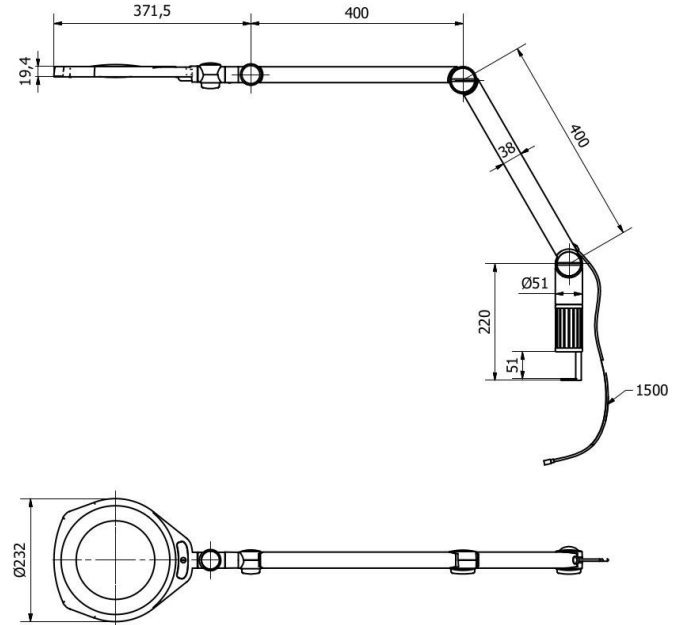
Wiring diagram EAKF010x



Dimension drawing EA1Cxxxx



Dimension drawing EAKF010x



Extract accessories program

AE000021



Light up accessories, magnetic clamp, mounting material for light, aluminum

AE000022



accessc lights, Table clamp, Mounting material for lights, Steel

VK003026



Cable connector, Angular, Suitable for self-assembly, Screw connection, Ø3-6.5mm, 4A, 240V, -25-90°C, M12 Male (connector) 4pin, IP67, PBT

VK003028



Cable connector, Straight, Suitable for self-assembly, Screw connection, Ø3-6.5mm, 4A, 240V, -25-90°C, M12 Male (connector) 4pin, IP67, PBT

AE000002



accessories lights, Fastening parts/-set, 10x60x60mm, Mounting material for lights, Plastic

AE000039



Light up accessories, mounting parts/set, mounting material for light, plastic

You can find further accessories on our homepage



Installation

Mounting / installation may only be carried out by a qualified electrician!



Disposal

WEEE number according to § 6 para. 3 ElektroG: 40951076

Safety warnings

/ Before initial operation, please make sure to follow all safety instructions that may be provided in the product information.

/ Never use these devices in applications where the safety of a person depends on their functionality.

/ LED lighting systems can generate intensive UV radiation, which can damage your eyes in case of improper use. The manufacturer cannot be held responsible for damages that result from improper use or connection.